

Package Contents

- Plastic Single Gang Wall Box Mount Bracket
- (x2) #6-32 Machine Screws
- T8H Torx Security Screw
- *205H-MNT1 Wall Mount Kit Installation Guide*

Introduction

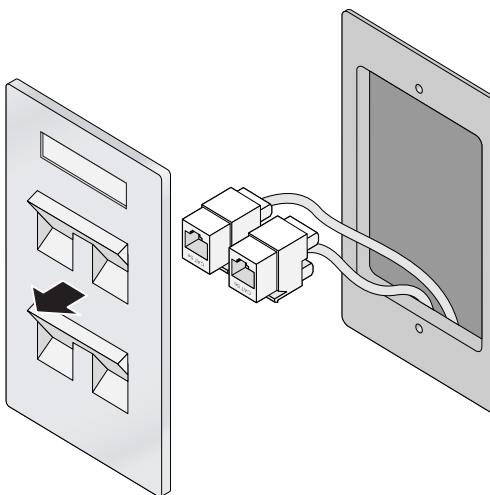
The 205H-MNT1 Wall Mount Kit is a spare wall mount bracket that is packaged with the 205H access point. This mounting kit is compatible with standard single gang wall boxes.

Installing the 205H-MNT1 Wall Mount Kit

Use the following instructions to install the 205H-MNT1 Wall Mount Kit.

1. If the wall box is not already exposed, unscrew and remove the existing wall plate, as shown in [Figure 1](#).

Figure 1 *Removing Existing Wall Plate*



2. Detach any RJ-45 cables by unclipping the connectors from the wall plate, or cutting/removing the UTP cable(s).
3. Use a short Ethernet cable (sold separately, part number AP-CBL-ETH10) to connect the E0 port to an RJ-45 connector, or crimp an RJ-45 plug (not supplied) to the cable and insert into the E0 port. Do the same for the PT port if used.
4. Align the wall mount with the holes on your single gang wall box. The wall mount contains two sets of holes to accommodate standard worldwide ([Figure 2](#)) and US ([Figure 3](#)) single gang wall boxes.

The applicable standards for the wall boxes are:

- Worldwide: IEC 60670-1, GB17466, BS4662, and DIN49073
- US: ANSI/NEMA OS 1 and OS 2

Figure 2 Attaching Wall Mount to Gang Wall Box (Worldwide Single Gang Outlet Box Shown)

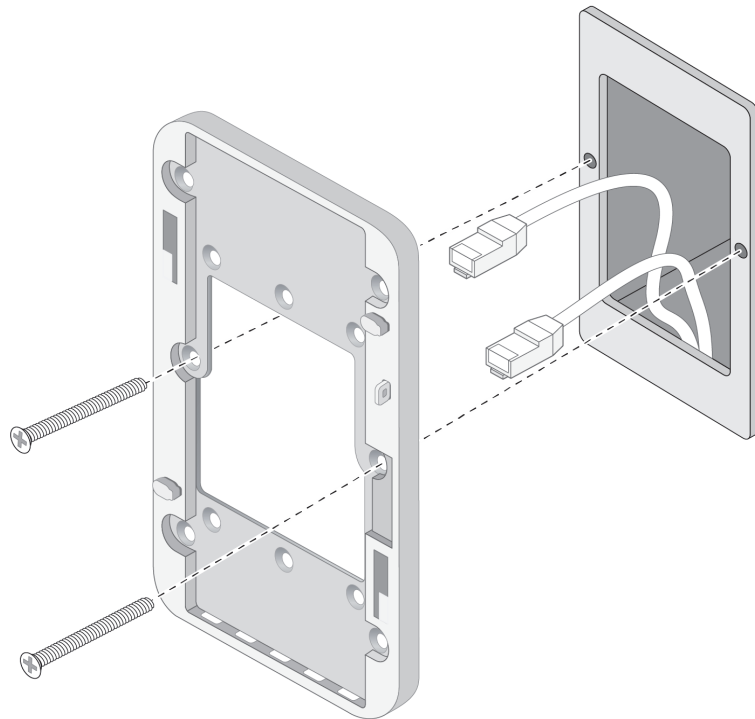
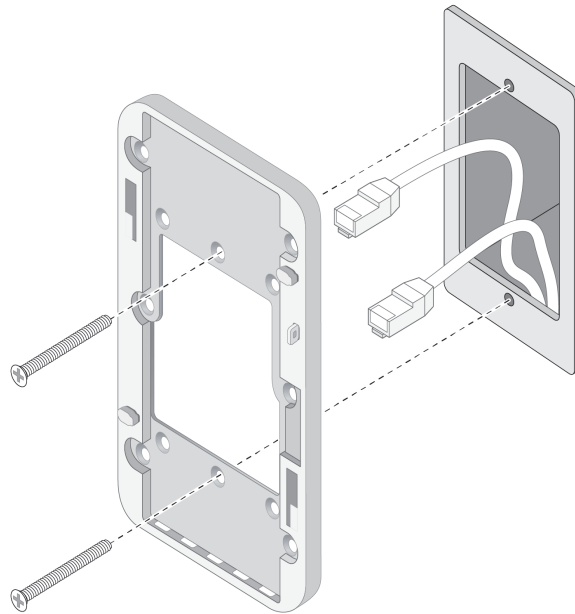
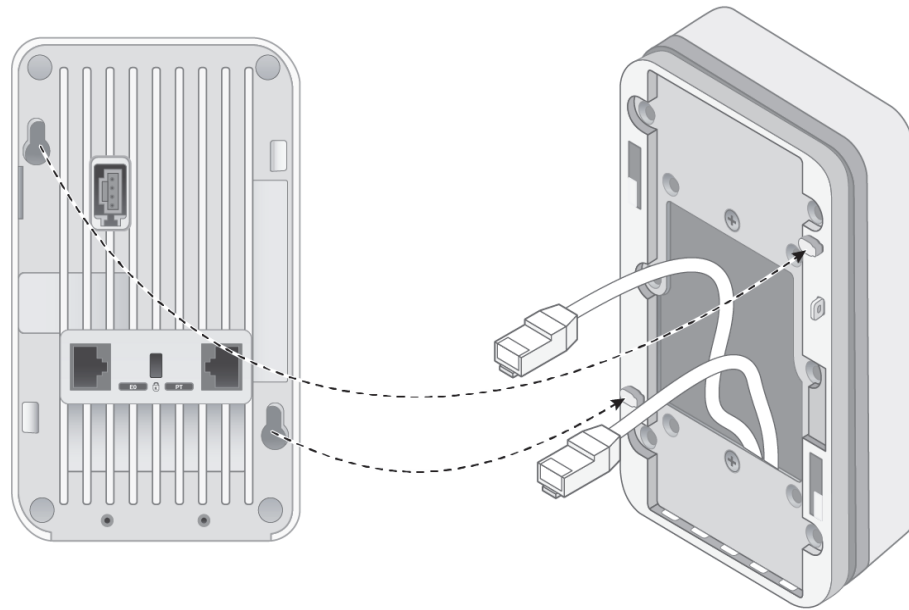


Figure 3 Attaching Wall Mount to Wall Gang Box (US Single Gang Outlet Box Shown)



5. Remove the #6-32 machine screws from their bag and screw the mount onto the wall box, as shown in [Figure 2](#) and [Figure 3](#).
6. Connect any required cables to the rear of the AP.
7. Align the mounting slots on the back of the 205H access point with the corresponding posts on the wall mount, as shown in [Figure 4](#).

Figure 4 *Securing 205H access point to Mount*



8. Push the AP against the holes and then downward until the posts engage the slots at the top of the mounting holes.
9. (Optional) Once the AP is fastened onto the wall mount, insert the T8H Torx security screw into the hole located at the upper-right side of the mount and tighten.
10. (Optional) If not using PoE, connect the AC-DC power adapter to the DC power socket located on the right side of the 205H access point (AP-AC-48V36 sold separately).

